



**Install &
Forget**



Seat Less & Glandless
Piston Valve



Seat Less & Glandless Piston Valve



THE ADVANTAGE OF MEGATECH PISTON VALVES

- ▶ Exceptional leak tightness across the ports and to atmosphere.
- ▶ Environmentally safe and energy efficient.
- ▶ Long time Maintenance Free, no wear on sealing surfaces.
- ▶ Insensitive to impurities due to maintenance free sealing system.
- ▶ High Return on Investment across full service life compared to Globe Valves.
- ▶ Valve rings are replaceable in the line.
- ▶ Excellent control statistics.

DESIGN FEATURES

Valve designed as straight-through piston valve, pressure-relieved. Inline and stem sealing by two flexible valve ring made from special material, Body made of Cast steel / Stainless steel, Bonnet made of Cast steel / Stainless steel, Handwheel made of grey cast iron/Cast steel, and Piston Consisting of corrosion resistant steel.

RING MATERIAL

The valve rings are made of specially material. They have no asbestos containing materials and make the valve maintenance free. **"Install and Forget"** is the motto. The coupling pressure on the piston is so high that media are reliable checked up to 900 psi in any aggregate condition and at temperatures ranging from -50' F to + 800' F. The various expansion coefficients of the valve components which arise during alternating thermal loads are fully compensated by the ring. Reliably tight in all operating states. The bonnet presses against the lower component with the sealing element. The two rings are pre-sealed and increase their coupling pressure on the casing and piston.

EXTRAORDINARY SEALING SYSTEM AMAZINGLY SIMPLE AND RELIABLY TIGHT

A stainless steel piston enclosed by two valve rings makes up the sealing element. The upper valve ring provides the outer seal, while the lower valve ring seals the passage. The large sealing surface on the piston skirt provides an optimum seal. When locked, the piston simultaneously pushes any impurities which might be present in the medium ahead of itself. Therefore, media which fibrous or contaminated constituents are reliably checked as well. In principle, damage to the sealing surface is excluded. Function is always kept fully intact.

EXCELLENT CONTROL CHARACTERISTICS

The double guidance of the piston in closed position prevent fluttering and vibration in the control setting, and oscillations in the tube.

THE VALVE STAYS IN THE LINE WHILE CHANGING THE VALVE - RING

After the first commissioning the valve is absolutely maintenance free for a long time. In case used-up valve rings have to be changes, this is very easily done, The valve does not have to dismantled.

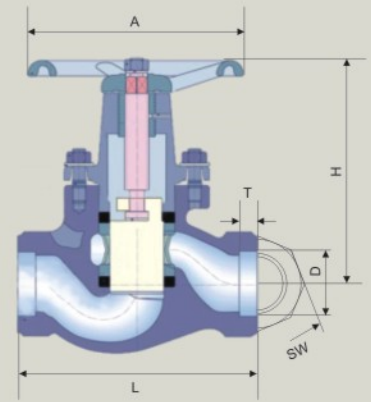


SW SOCKET WELD ENDS

DIMENSIONS : DIN-3202M9

CONNECTION ANSI B 16.11.1971

DN	Overall Dimensions			Connection Dimensions		
	L	H	A	D	T	SW
15	100	105	100	21.8	10	36
20	120	120	120	27.1	13	41
25	135	138	140	33.8	13	50
32	160	154	160	42.6	13	65
40	185	186	180	48.7	13	75
50	220	211	200	61.2	16	90

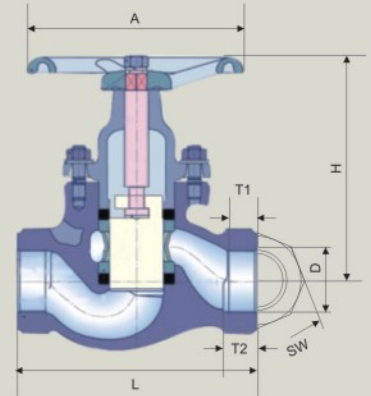


SE SCREWED ENDS

DIMENSIONS : DIN-3202M9

CONNECTION FEMALE TREADS (BSP)*

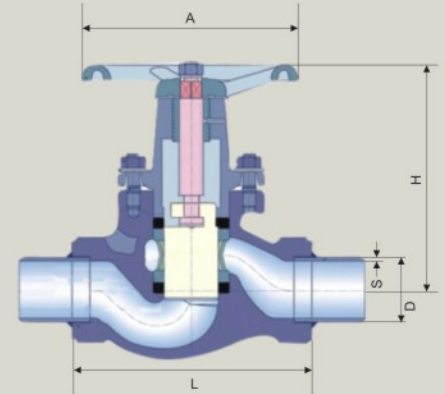
DN	Overall Dimensions			Connection Dimensions			
	L	H	A	D	T1	T2	SW
15	100	105	100	R1/2"	15.5	19.5	36
20	120	120	120	R3/4"	16	20	41
25	135	138	140	R1"	17	22	50
32	160	154	160	R1 1/4"	19	25	65
40	185	186	180	R1 1/2"	22	27	75
50	220	211	200	R2"	26	31	90



BW BUTT WELD ENDS

DIMENSIONS

DN	Overall Dimensions			Connection Dimensions	
	L	H	A	D	S
15	145	105	100	21.3	3.25
20	170	120	120	26.9	3.25
25	200	138	140	33.7	4
32	230	154	160	42.4	4
40	270	186	180	48.3	4
50	320	211	200	60.3	4.5



FE FLANGE ENDS

Pressure Rating : ANSI Class 150 Overall Length : ANSI B 16.10 Class 150

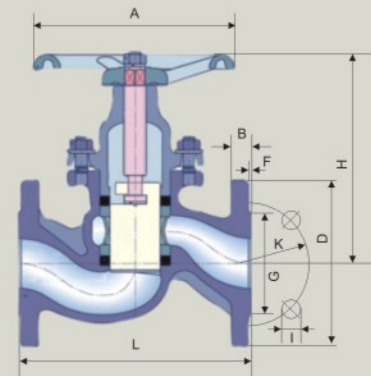
Connection : Flanged to ANSI B 16.5 Class 150 RF

Overall Dimensions				Connection Dimensions						
Size MM	Length L	Height H	H/W Ø A	Flange Thickness B	Flange Ø D	R/F Thickness F	R/F Ø G	No. of Holes	PCD K	Hole Ø I
15	108	105	100	11.7	88.9	1.6	35	4	60.45	15.74
20	117	105	100	12.7	98.55	1.6	42.93	4	69.85	15.74
25	127	120	120	14.22	107.95	1.6	50.80	4	79.24	15.74
40	165	154	160	17.52	127	1.6	73.15	4	98.55	15.74
50	203	186	180	19.05	152.4	1.6	91.95	4	120.65	19.05

Pressure Rating : ANSI Class 300 Overall Length : ANSI B 16.10 Class 300

Connection : Flanged to ANSI B 16.5 Class 300 RF

Overall Dimensions				Connection Dimensions						
Size MM	Length L	Height H	H/W Ø A	Flange Thickness B	Flange Ø D	R/F Thickness F	R/F Ø G	No. of Holes	PCD K	Hole Ø I
15	152	105	100	14.22	95.25	1.6	35	4	66.54	15.74
20	178	120	120	15.74	117.34	1.6	42.93	4	82.55	19.05
25	203	138	140	17.52	123.95	1.6	50.80	4	88.9	19.05
40	229	186	180	20.57	155.44	1.6	73.15	4	114.3	22.35
50	267	211	200	22.35	165.1	1.6	91.95	4	127.00	19.05



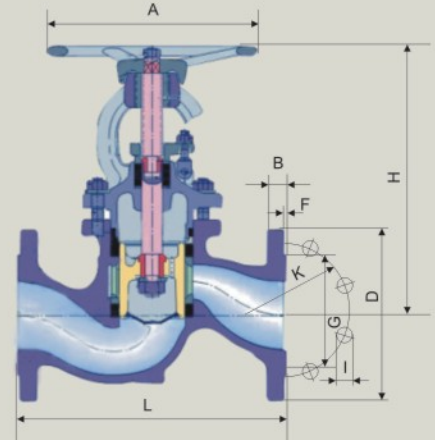
FE FLANGE ENDS

80 to 200 mm

Pressure Rating : ANSI Class 150 Overall Length : ANSI B 16.10 Class 150

Connection : Flanged to ANSI B 16.5 Class 150 RF

Overall Dimensions				Connection Dimensions						
Size MM	Length L	Height H	H/W Ø A	Flange Thickness B	Flange Ø D	R/F Thickness F	R/F Ø G	No. of Holes	PCD K	Hole Ø I
80	241	327	250	19.05	190.5	1.6	127	4	152.4	19.05
100	292	374	280	23.87	228.6	1.6	157.23	8	190.5	19.05
150	406	477	360	25.4	279.4	1.6	215.90	8	241.3	22.35
200	495	561	400	28.4	342.9	1.6	269.75	8	298.45	22.35



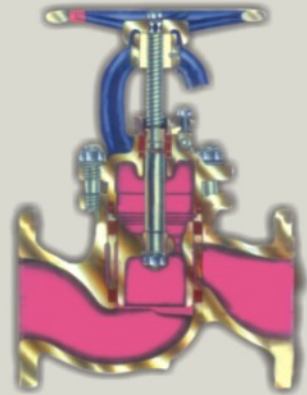
FE FLANGE ENDS

65 to 200 mm

Pressure Rating : ANSI Class 300 Overall Length : ANSI B 16.10 Class 300

Connection : Flanged to ANSI B 16.5 Class 300 RF

Overall Dimensions				Connection Dimensions						
Size MM	Length L	Height H	H/W Ø A	Flange Thickness B	Flange Ø D	R/F Thickness F	R/F Ø G	No. of Holes	PCD K	Hole Ø I
65	292	306	250	25.4	190.5	1.6	104.65	8	149.35	22.35
80	318	327	250	28.44	209.55	1.6	127	8	168.14	22.35
100	356	374	280	31.75	254	1.6	157.23	8	200.15	22.35
150	445	477	360	35.57	317.5	1.6	213.40	12	269.74	22.35
200	559	561	400	41.14	381	1.6	269.75	12	330.2	25.4



MEGATECH ENGINEERS

AN ISO 9001:2008 CERTIFIED COMPANY

16, Prarthna Ind. Estate, B/H. Shakariba Party Plot, Jamfalwadi Road, NH-8, C.T.M., Amraiwadi, Ahmedabad-380026. Gujarat, India.

Ph. : +91 79 25851933, Mob. 094260 62885 / 094266 80629 / 099240 68885

Email : megatechk@gmail.com / info@megatechengineers.com

info@megatechpumps.com